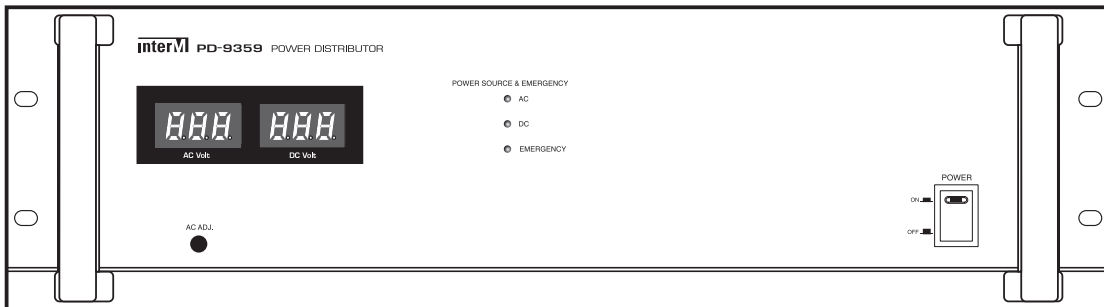


Operation Manual

PD-9359 Power Distributor



interM

Contents

Welcome	
Warning	1
Unpacking	2
Installation	
Environment	2
Important Safety Instructions	2
Features	3
Operation	3
Front Panel	4
Rear Panel	5
Applications	7
Block Diagram	8
Specifications	9
Service	
Procedures	10
Schematic	10
Parts List	10
Variations and Options	10
Warranty	10

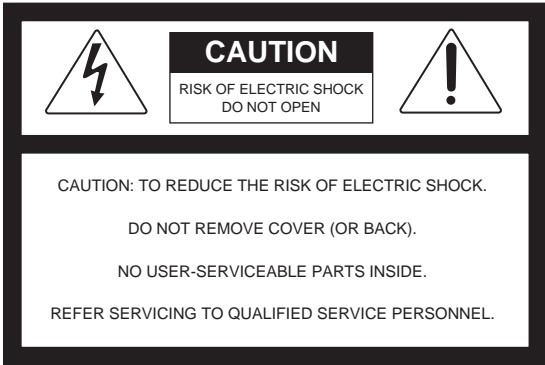
Welcome

A personal welcome to you from the management and employees of Inter-M

All of the co-workers here at Inter-M are dedicated to providing excellent products with inherently good value, and we are delighted you have purchased one of our products.

We sincerely trust this product will provide years of satisfactory service, but if anything is not to your complete satisfaction, we will endeavor to make things right.

Welcome to Inter-M, and thank you for becoming part of our worldwide extended family!



This symbol is intended to alert the user to the presence of uninsulated "dangerous voltage" within the product's enclosure that may be of sufficient magnitude to constitute a risk of electric shock to persons.



This symbol is intended to alert the user to the presence of important operation and maintenance (servicing) instructions in the literature accompanying the appliance.

Caution: To prevent electric shock do not use this (polarized) plug with an extension cord, receptacle or other outlet unless the blades can be fully inserted to prevent blade exposure.

Attentions: Pour prévenir les chocs électriques ne pas utiliser cette fiche polarisée avec un prolongateur, une prise de courant ou une autre sortie de courant, sauf si les lames peuvent être insérées à fond sans en laisser aucune partie à découvert.

WARNING

To prevent fire or shock hazard, do not expose the unit to rain or moisture.

*Do not install this equipment in a confined space such as a book case or similar unit.
 *The apparatus shall not be exposed to dripping or splashing and no objects filled with liquids, such as vases, shall be placed on the apparatus.
 *Worded: "WARNING FOR YOUR PROTECTION PLEASE READ THE FOLLOWING-WATER AND MOISTURE: Unit should not be used near water(e.g. near a bathtub, washbowl, kitchen sink, laundry tub, in a wet basement, or near a swimming pool, etc). Care should be taken so than objects do not fall and liquids are not spilled into the enclosure through openings."

Unpacking

Although it is neither complicated to install nor difficult to operate your PA power distributor, a few minutes of your time is required to read this manual for a properly wired installation and becoming familiar with its many features and how to use them.

As with most electronic devices, we strongly recommend you retain the original packaging. In the unlikely event the product must be returned for servicing, the original packaging (or reasonable equivalent) is required.

Installation

Environment

Never place this product in an environment which could alter its performance or reduce its service life. Such environments usually include high levels of heat, dust, moisture, and vibration.

Important Safety Instructions

1. Read these instructions.
2. Keep these instructions.
3. Heed all warnings.
4. Follow all instructions.
5. Do not use this apparatus near water.
6. Clean only with dry cloth.
7. Do not block any ventilation openings. Install in accordance with the manufacturer's instructions.
8. Do not install near any heat sources such as radiators, heat registers, stoves, or other apparatus (including amplifiers) that produce heat.
9. Do not defeat the safety purpose of the polarized or grounding-type plug. A polarized plug has two blades with one wider than the other. A grounding type plug has two blades and a third grounding prong. The wide blade or the third prong are provided for your safety. If the provided plug does not fit into your outlet, consult an electrician for replacement of the obsolete outlet.
10. Protect the power cord from being walked on or pinched particularly at plugs, convenience receptacles, and the point where they exit from the apparatus.
11. Only use attachments/accessories specified by the manufacturer.
12. Use only with the cart, stand, tripod, bracket, or table specified by the manufacturer, or sold with the apparatus. When a cart is used, use caution when moving the cart/apparatus combination to avoid injury from tip-over.
13. Unplug this apparatus during lightning storms or when unused for long periods of time.
14. Refer all servicing to qualified service personnel. Servicing is required when the apparatus has been damaged in any way, such as power-supply cord or plug is damaged, liquid has been spilled or objects have fallen into the apparatus, the apparatus has been exposed to rain or moisture, does not operate normally, or



Features

- SYSTEM POWER CONTROL

You can totally control the power of your system by using this model.

- AC AND DC POWER SUPPLY

You can distribute AC and DC power through AC outlet and DC terminals on the rear panel.

- USE OF EMERGENCY POWER SUPPLY

For emergency equipment power supply, extra DC terminal is provided.

- REMOTE CONTROL

You can control the system power by remote control function even though power switch on front is off.

- AC AND DC VOLT METER

This model used digital volt meter displays of AC and DC.

- OPERATING MODE DISPLAY

You can check easily the operating mode by LEDs, AC or DC operating and emergency power.

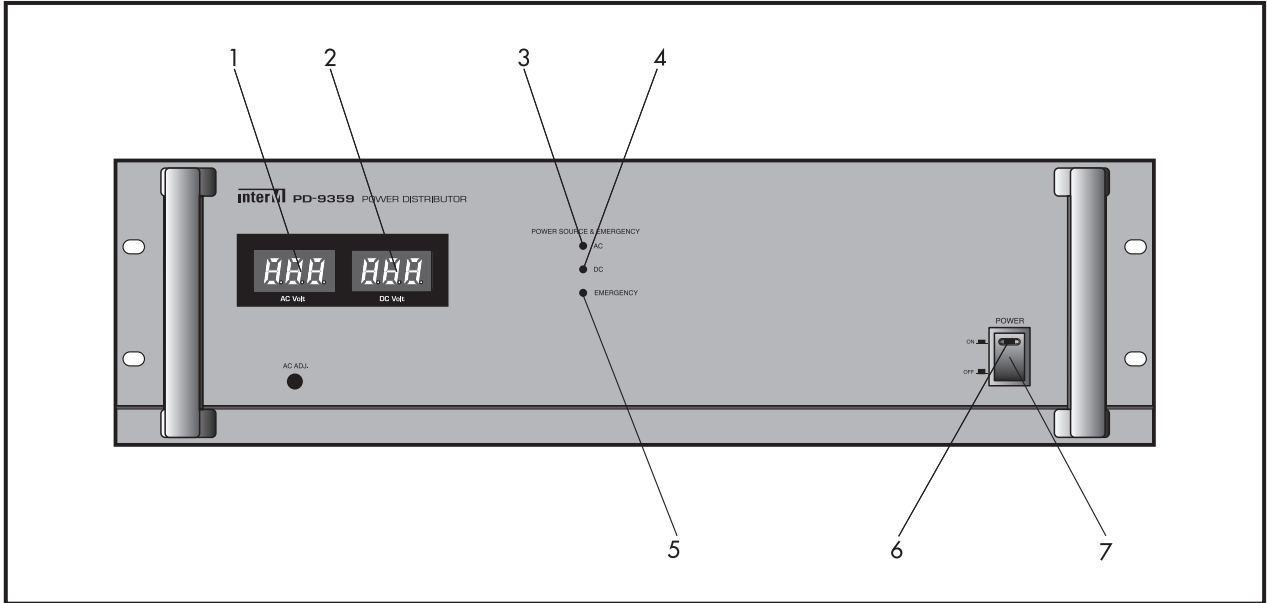
Operation

Make certain that speakers and input sources are properly connected before switching on.

Keep volume levels at minimum gain before switching on.

NOTE: The system's operation is delayed by approximately three seconds after pressing the AC Mains power switch. This is due to the built-in protection circuitry, designed to protect speakers and other system components.

Front Panel



1. AC METER

AC power voltage is indicated by this meter.

2. DC METER

This meter indicate the internal rectified DC power voltage, or battery voltage.

3. AC LED

This LED indicate that rack system is operated by AC power.

4. DC LED

This LED indicate that rack system is operated by DC battery power.

5. EMERGENCY LED

This LED indicate that emergency power of turn on.

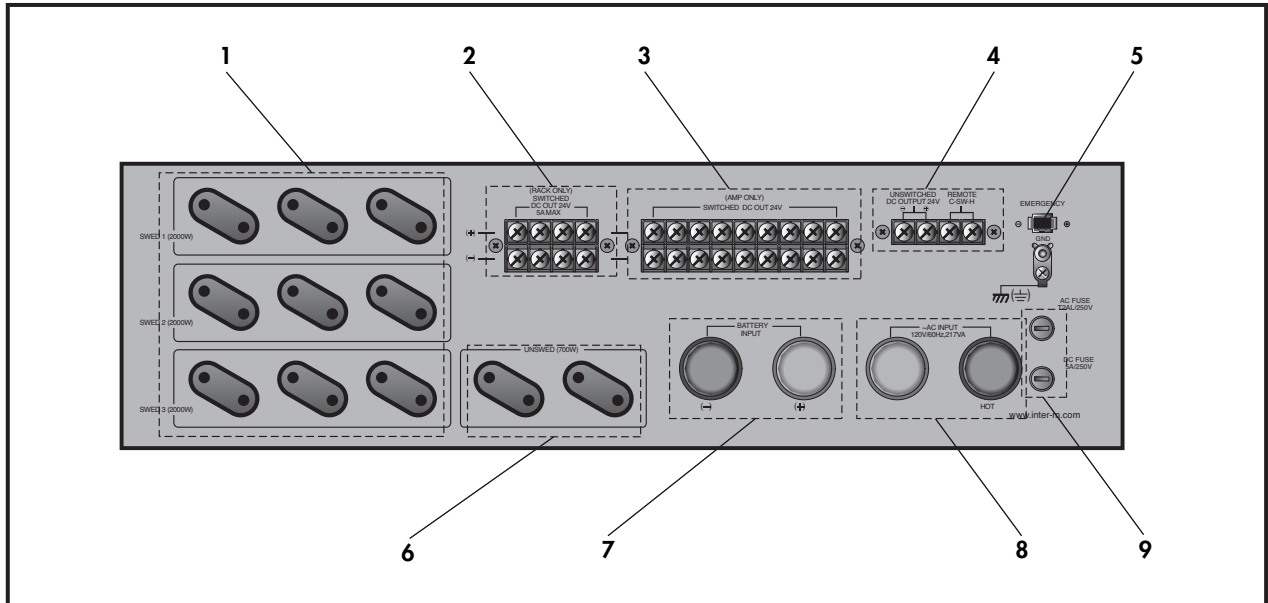
6. POWER LED

The LED make a light when power is ON by switch on front panel or remote control terminal.

7. POWER SWITCH

Pressing this switch to ON will make the power indicating LED ON and supply the power to this unit.

Rear Panel



1. AC OUTLET (SWITCHED)

AC power is also supplied by this outlets when operating of power switch or remote control.

2. DC OUT TERMINAL

This terminal is supplied DC power of rack system when operating of power switch or remote control.

***NOTE:** Please consider current not to exceed rated maximum current 5 amps.

3. BATTERY OUT TERMINAL (for AMP)

The output of battery power is supplied when unexpected power failure, we recommend you this terminal is for Amplifier or high current equipment.

4. CONTROL TERMINALS

These terminals are for operating of remote control and supply of DC power. If you want to connect the any equipment operated by DC 24V, please use these. Also, if you can use the H&C terminal this system will be operated without control of power switch.

5. TERMINAL FOR EMERGENCY EQUIPMENT

DC 24V for emergency equipment turn on always, and it is independent with power switch or remote control.

6. AC OUTLET (UNSWITCHED)

AC power is always supplied by this outlet. If any equipment must be always turned ON, please use this outlet.

7. BATTERY INPUT TERMINAL

This terminal is supplied DC power from the battery charger when unexpected AC power failure.

8. AC INPUT TERMINAL

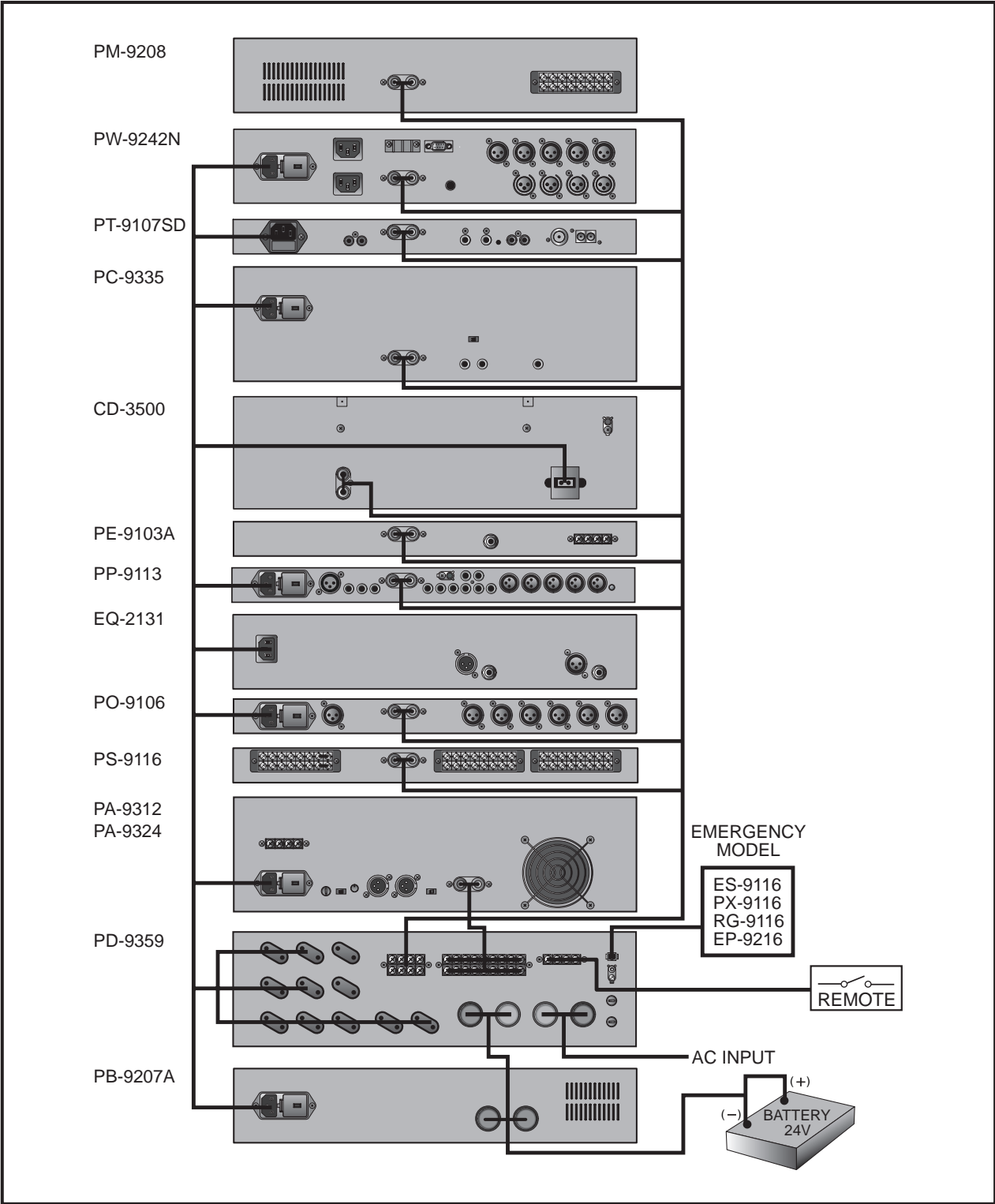
AC power is supplied through this terminal.

9. FUSE HOLDERS, AC AND DC

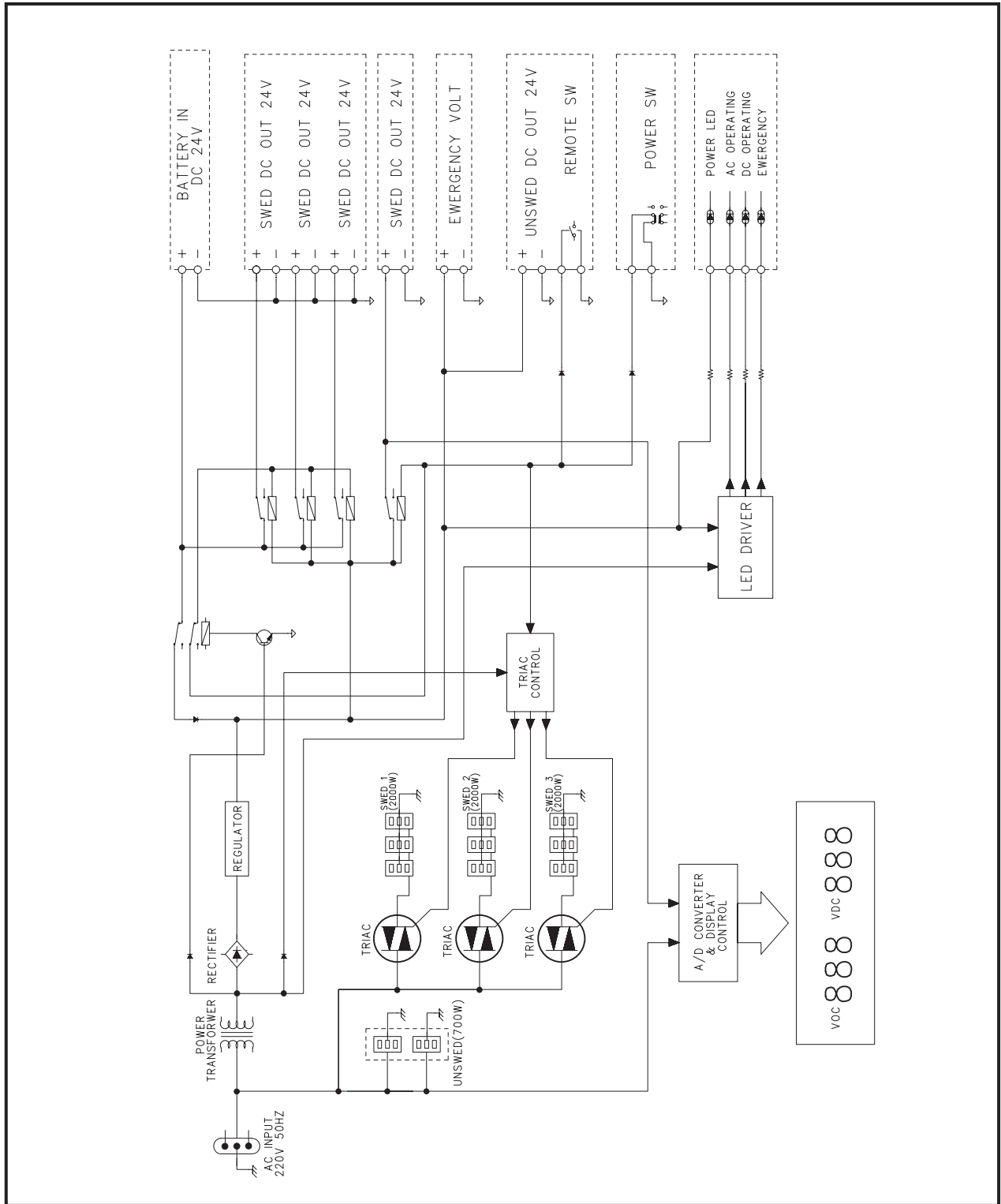
This fuse holders contain AC and DC fuses. When fuses are blown out, it should be replaced with the same type just like following page. If it continues to blow, stop replacing fuse and refer servicing to qualified personnel.

Voltage	AC 110V/120V	AC 220V/240V	DC
Fuse Rating	4A/250V	2A/250V	5A/250V

Applications



Block Diagram



Specifications

- ELECTRICAL

AC Outlet.....	Switched 2000W x 3 Unswitched 700W x 1
Remote Control.....	1
DC Power Output.....	DC 24V 5A

- GENERAL

Power Source	100-120VAC or 220-240VAC; 50/60Hz or 24V DC (Supplied AC mains transformer depends on country requirements)
Weight	19kg/41.9lb
Dimensions	482(W) x 132(H) x 280(D)mm/19(W) x 5(H) x 11(D)in

* Specifications and design subject to change without notice.

Service

Procedures

Ensure the problem is not related to operator error, or system devices that are external to this unit. Information provided in the troubleshooting portion of this manual may help with this process. Once it is certain that the problem is related to the product contact your warranty provider as described in the warranty section of this manual.

Schematic

A Schematic is available by contacting your warranty provider.

Parts List

A Parts List is available by contacting your warranty provider.

Variations and Options

Variations

Products supplied through legitimate sources are compatible with local AC power requirements.

Options

No optional items are available for this product.

Warranty

Warranty terms and conditions vary by country and may not be the same for all products. Terms and conditions of warranty for a given product may be determined first by locating the appropriate country which the product was purchased in, then by locating the product type.

To obtain specific warranty information and available service locations contact Inter-M directly or the authorized Inter-M Distributor for your specific country or region.



Inter-M, Ltd. (Korea) began operations in 1983.

Since then, Inter-M has grown to become one of the largest manufacturers of professional audio and commercial sound electronics equipment in the world.

Inter-M has gained worldwide recognition for its own branded products, as well as private label manufacturing of electronics sold under other names (OEM).

The company is no longer just a Korean company, but rather a global company that is truly international in scope, with factories and offices in Korea and China, and sales and marketing operations located in Japan, Europe, and the U.S.A.

With more than 850 employees around the globe, Inter-M is well-poised for further growth and expansion.

Inter-M Americas, INC.

13875 ARTESIA BLVD. CERRITOS, CA 90703 USA
TEL : +1-562-921-0313, FAX : +1-562-921-0370
Home Page : <http://www.inter-m.net>, E-mail : info@inter-m.net

Inter-M Corporation

SEOUL OFFICE: 653-5 BANGHAK-DONG, DOBONG-KU, SEOUL, KOREA
TEL : +82-2-2289-8140~8, FAX : +82-2-2289-8149
Home Page : <http://www.inter-m.com>, E-mail : overseas@inter-m.co