

Audio Pre Amplifier

PP-613



FEATURES

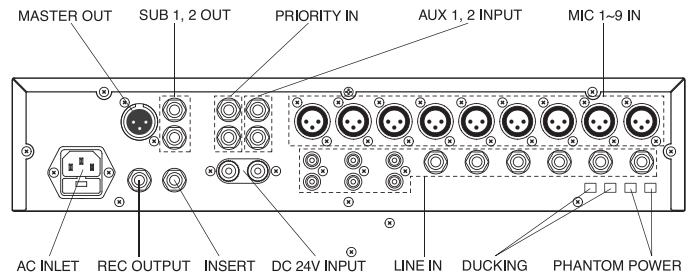
- 9 channel input, 1 channel for master output, 2 channels for sub output, 1 channel for recording output**
 9 channel input and 1 channel for master output and 2 sub channel for flexible use and 1 channel for recording output which is not affected by the master level fader built in.
- Auxiliary Input and Priority input**
 Auxiliary Input is built in so that users can use the external sound source in there convenience and the sound source connected to 2 channels of this priority input is played prior to the other input.
- EQ on each channel**
 3 band (High, Mid, Low) Graphic equalizers are built-in so that a user can adjust the tone of sound as they please.
- Phantom Power**
 Phantom powers are available on channel 1 and 2 for the condenser microphone.
- Ducking**
 Ducking function available on channel 1 and 2 enable their sound source to be broadcast prior to the others. A user can select whether to use it or not.

SPECIFICATIONS

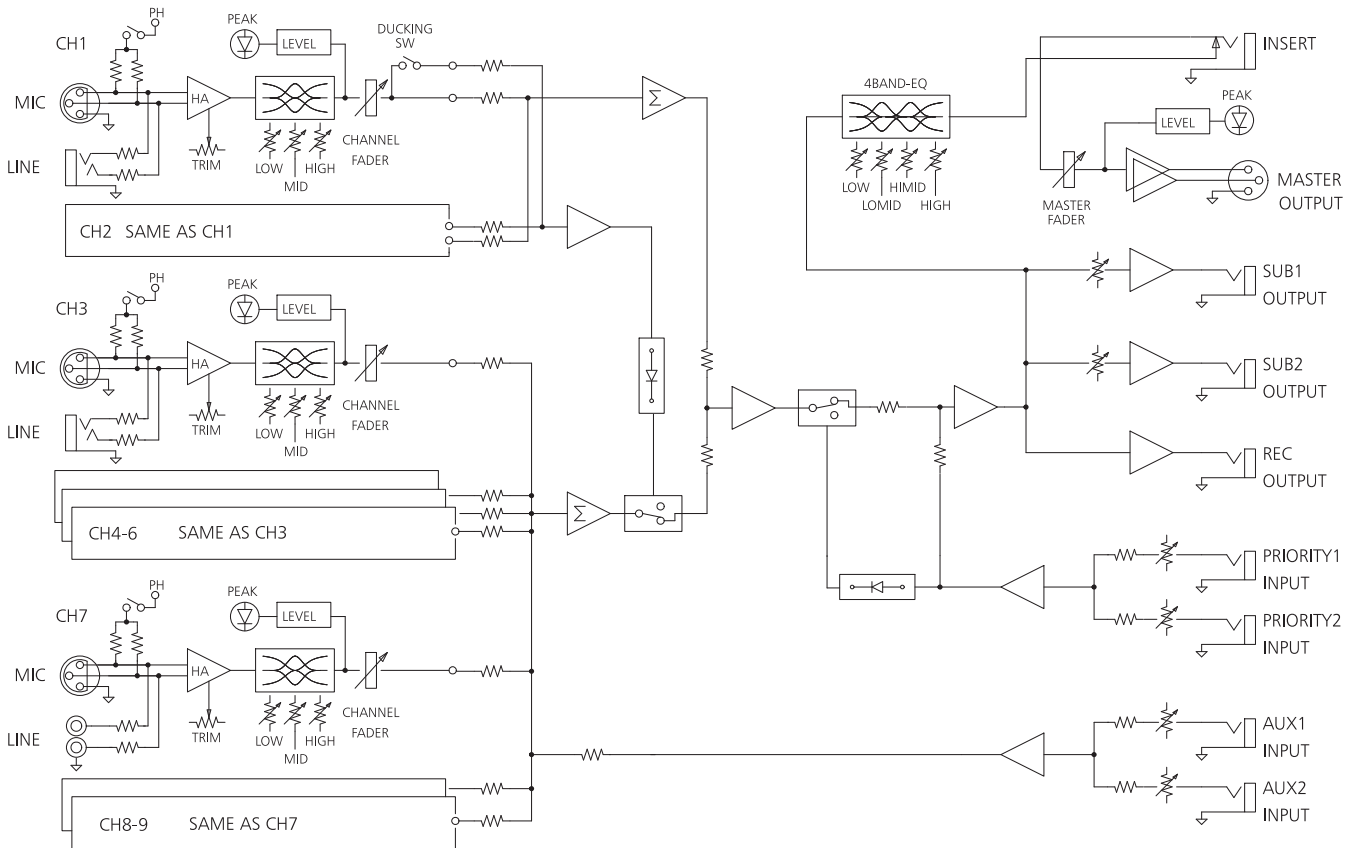
Rated Output (1kHz)	Master Output	+4dBm/600Ω, BAL	Output Channel Equalizer	HIGH	+4dBm/600Ω, BAL
	SUB 1,2 Output	+4dBm/600Ω, UNBAL		HI-MID	+4dBm/600Ω, UNBAL
	REC Output	10dBm/10kΩ, UNBAL		LOW-MID	±12dB (400Hz)
		LOW		±12dB (80Hz)	
Input Sensitivity /Impedance	MIC (CH1~CH9)	-60dBm/600Ω, BAL	Residual Noise (at V/R Min)	Less than -90dB	
	LINE (CH1~CH6)	-20dBm/47kΩ, BAL	Crosstalk	Less than -50dB	
	LINE (CH7~CH9)	-20dBm/47kΩ, UNBAL	Phantom Power	+18V DC	
	AUX 1,2	10dBm/20kΩ, UNBAL	Operation Temperature	-10°C ~ +40°C	
	Priority 1,2	0dBm/20kΩ, UNBAL	Power Source	100-120VAC or 220-240VAC; 50/60Hz	
	Insert	0dBm/20kΩ, UNBAL	Power Consumption	10W	
T.H.D		Less than 0.3%	Weight (SET)	5.5kg/21.1lb	
Frequency Response		30Hz-20kHz (+1dB, -3dB)	Dimensions (SET)	482(W)x88(H)x380(D)mm/ 19(W)x3.5(H)x15(D)in	
Input Channel Equalizer	HIGH	±12dB (10kHz)			
	MID	±12dB (1kHz)			
	LOW	±12dB (100kHz)			

* Specifications and design are subject to change without notice.

Audio Pre Amplifier PP-613



BLOCK DIAGRAM



Inter-M Corporation

- OFFICE: 653-5 BANGHAK-DONG, DOBONG-KU, SEOUL, KOREA
 - TEL : +82-2-2289-8140~8, FAX : +82-2-2289-8149

- Home page: <http://www.inter-m.com>
 - E-mail: overseas@inter-m.com
 - Printed in Korea