

Public Address Amplifier

PCT-610/620



FEATURES

- DIGITAL PROCESSING & DIGITAL AMPLIFIER**
 Designed with full digital amplifier, low power consumption, low set weight and low heat.
- BUILT IN SOUND SOURCE**
 You can use the FM digital tuner and MP3 CD player which are built in the system for your convenience.
- SPEAKER SELECTOR (5 ZONE)**
 Six speaker select switches enable you to select any combination of up to five speakers.
- RS-232C IN/OUT CONTROL**
 AMX/CRESTRON Interface can be used with the RS-232C terminal
- DIGITAL 3 BAND EQ**
 Digital 3 band EQ for 6 Mic inputs.
- PRIORITY MUTING**
 Selectable audio signal priority for MIC Channel 1 and 2. Priority : EM > TEL-IN > RM > MIC1/2
- ANNOUNCEMENT CHIME**
 Convenient two-tone and four-tone chime for announcement.
- EM (EMERGENCY)**
 When the EM terminals are connected in emergencies, EM broadcasting stored in VOICE IC is outputted.
- REMOTE CONTROL**
 The unit can be used with the remote amplifier, RM-05A.
- IR REMOCON (OPTION)**
 The unit can be controlled by the remocon. Power on/off, volume up/down, CD, FM, etc can be controlled by the remocon.

SPECIFICATIONS

	PCT-610	PCT-620		PCT-610	PCT-620
AUX INPUT(AUX IN @ 1kHz, 4Ω Load Output)			CD(Test CD 0dB, 1kHz @ PRE OUT)		
Rated Output Power	120W	240W	S/N, A-WTD	< -85dB	
Input Sensitivity	-10dBV/10kΩ		Frequency Response (±3dB)	80Hz-18kHz	
S/N, AES-17 WTD	≤ -80dB		TUNER(FM, 22.5kHz, MOD @ PRE OUT)		
Tone Control(BASS:100Hz, TREBLE:10kHz)	±10dB		S/N, A-WTD	< -60dB	
Frequency Response (1W Power Output, ±3dB)	90Hz-18kHz		Frequency Response (±3dB)	100Hz-14kHz	
T.H.D.	<1%		PRE OUT(MIC1~6, AUX IN TEL IN, Remote IN)		
MIC 1 ~ 6 Input(MIC IN @ 1kHz, PRE OUT)			Output Level	0dBV/600Ω	
Input Sensitivity	-60dBV ~ -16dBV/10kΩ		T.H.D	< 0.5%	
S/N, A-WTD	≤ -60dB		POST OUT /Output Level	0dBV/600Ω	
Frequency Response (±3dB)	120Hz-10kHz		Operating Temperature	-10°C ~ +40°C	
Phantom Power	+24V DC		Power Source	120VAC or 220-240VAC; 50/60Hz, 24VDC** (Different voltage setting on SMPSdepends on country)	
Remote IN(Remote IN @ 1kHz, PRE OUT)			Power Consumption(1/8 power)	90W	
Input Sensitivity	-60dBV/10kΩ				
S/N, A-WTD	≤ -50dB				
Frequency Response (±3dB)	120Hz-10kHz				
TEL IN(TEL IN @ 1kHz, PRE OUT)			Weight	10kg	11kg
Input Sensitivity	-2.2dBV/10kΩ			22.7lb	24.3lb
S/N, A-WTD	≤ -65dB		Dimensions	420(W) x 132(H) x 380(D)mm 16.5(W) x 5.2(H) x 15(D)in	
Frequency Response (±3dB)	330Hz-3kHz				

** In case of changing the voltage setting of 120Vac or 220~240Vac on SMPS, MUST refer it to qualified service personnel.

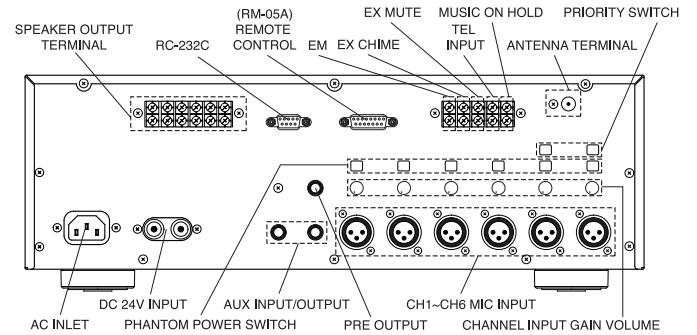
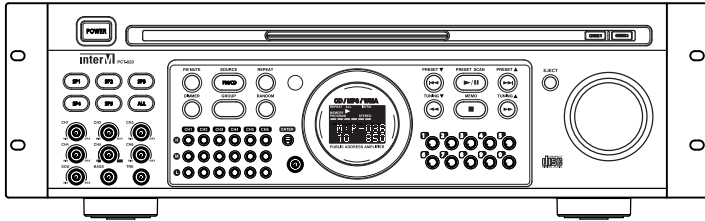
* Specifications and design are subject to change without notice.

interM

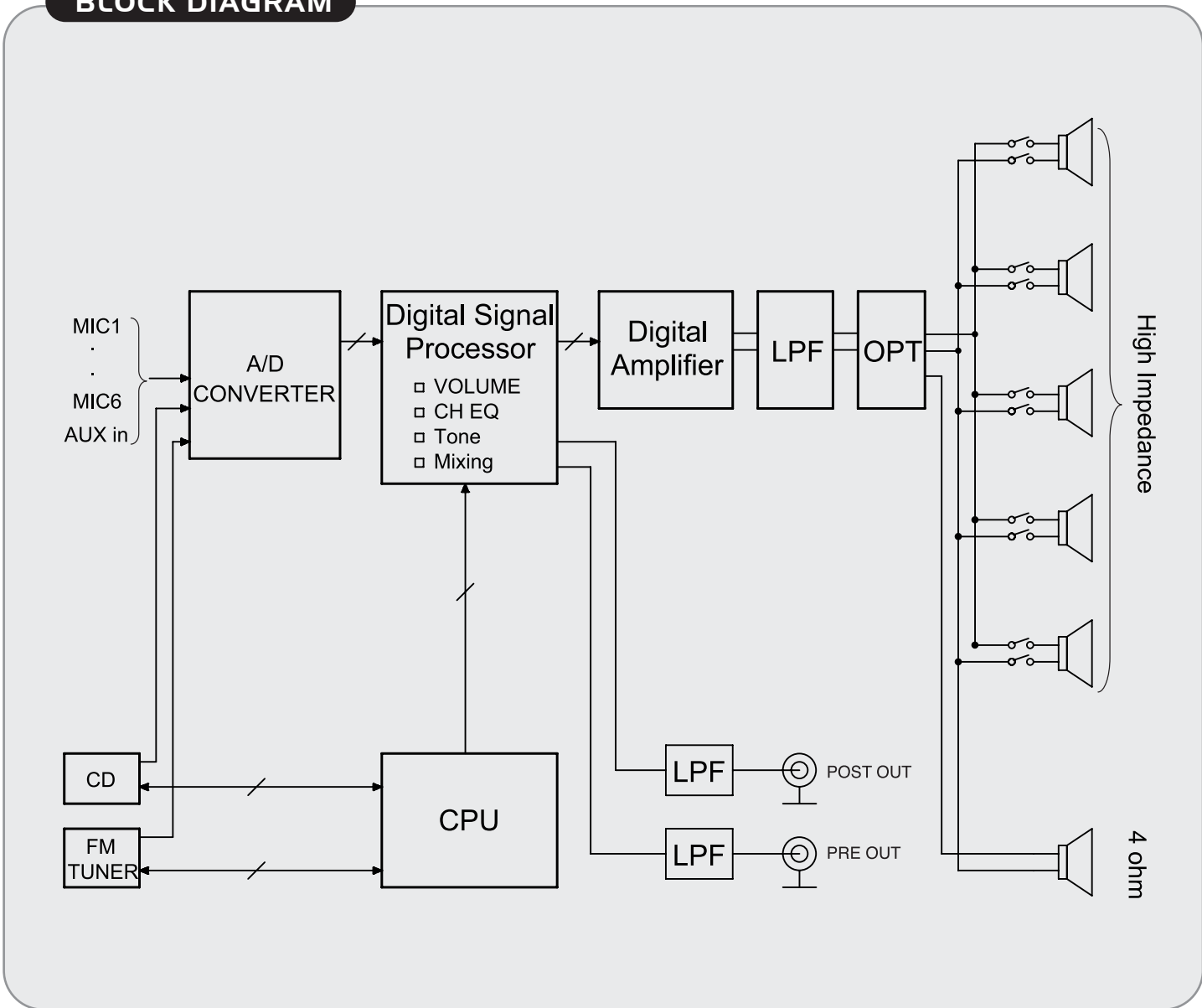
PUBLIC ADDRESS AMPLIFIER

Public Address Amplifier

PCT-610/620



BLOCK DIAGRAM



Inter-M Corporation

- OFFICE: 653-5 BANGHAK-DONG, DOBONG-KU, SEOUL, KOREA
 - TEL : +82-2-2289-8140~8, FAX : +82-2-2289-8149

- Home page: <http://www.inter-m.com>
 - E-mail: overseas@inter-m.com
 - Printed in Korea



www.inter-m.com