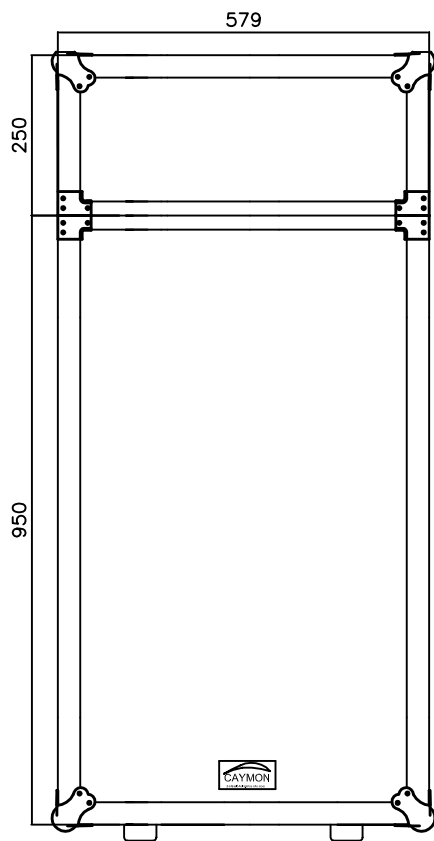
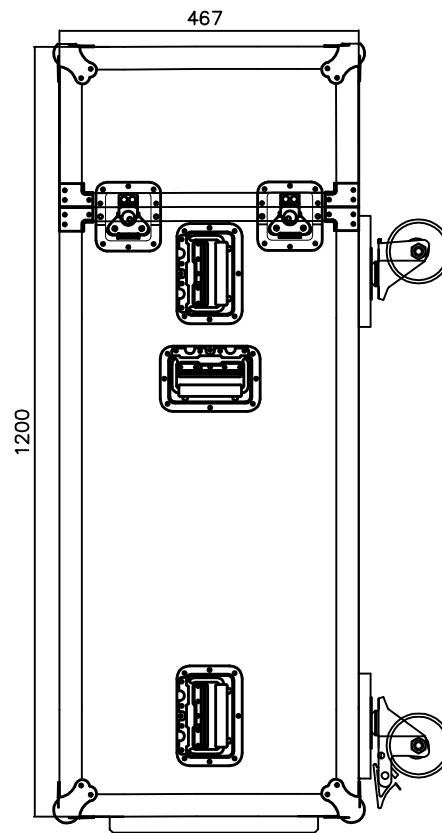


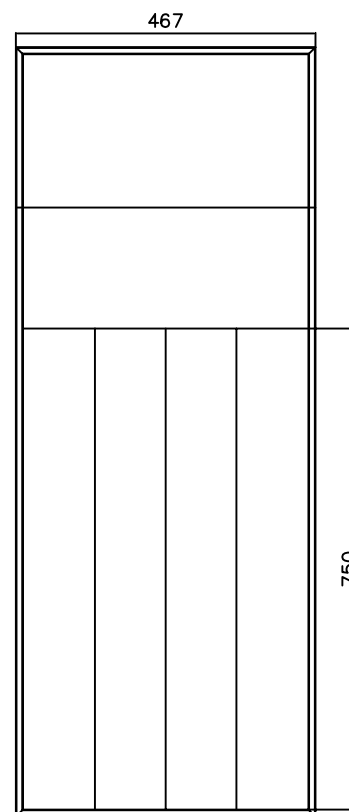
Top View lid



Front View



Side View



Inside Side View

Brand :	CAYMON
Type :	FCMS20
Outer Dimensions : (H x W x D)	1200mm x 579mm x 467mm
Weight :	Unknown
Plate :	9mm Multi-Layer Multiplex
Wheels :	2 x CAS100 + 2 x CAS100L

- * Professional flight case for up to 20 microphone stands
- * Removable top lid
- * Integrated flip handles
- * Professional butterfly latches
- * Black scratch-resistant coating
- * Aluminium finishing corners

Model Nr.

FCMS20

