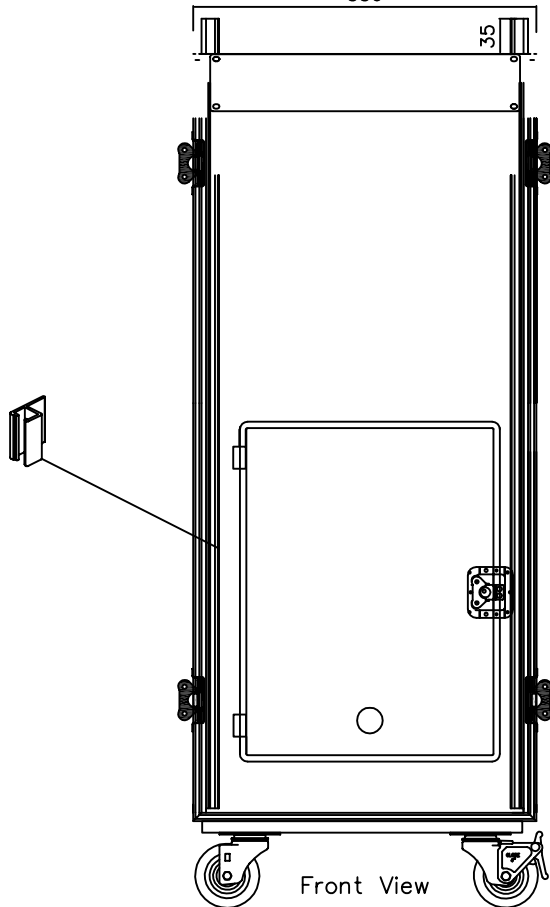
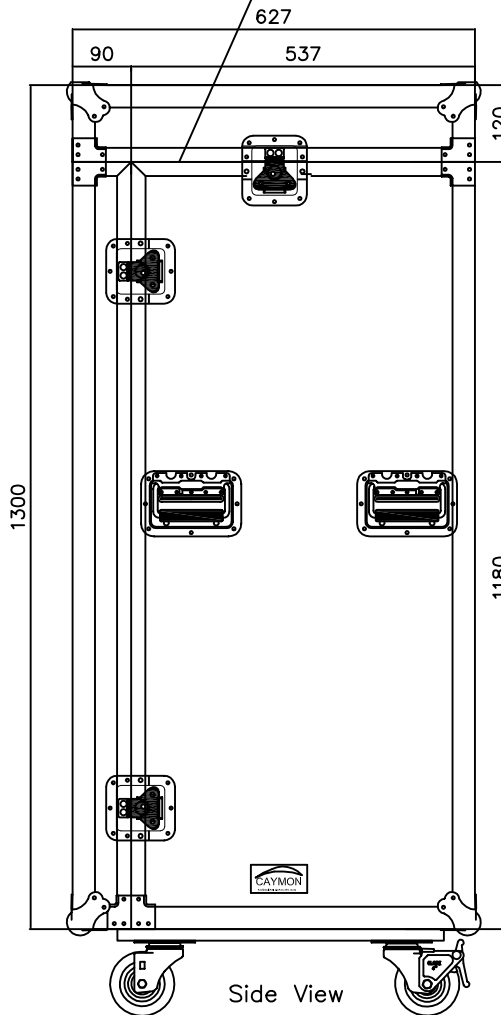
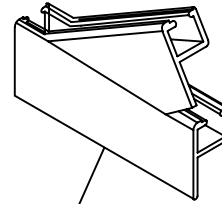


Top View

536



Front View



Side View

Brand :	CAYMON
Type :	FCC24
Outer Dimensions : (H x W x D)	1316mm x 536mm x 627mm
Weight :	41,00 kg
Plate :	9mm Multi-Layer Multiplex
Usable Height Front :	24 units
Usable Height Top :	11 units
Inside Usable Depth :	500mm
Wheels :	2 x CAS100 + 2 x CAS100L

- \* Professional combo flight case
- \* Separate front and top lid
- \* Integrated door at the back
- \* Integrated flip handles
- \* Professional butterfly latches
- \* Black scratch-resistant coating
- \* Aluminium finishing corners
- \* Suitable for 19" mixers on slightly tilted top
- \* Wheels mounted on wooden plate

Model Nr.

**FCC24**

**CAYMON**  
professional stands and racks