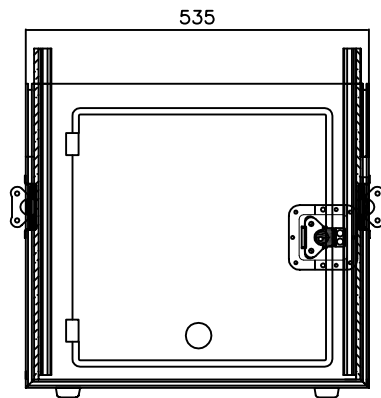
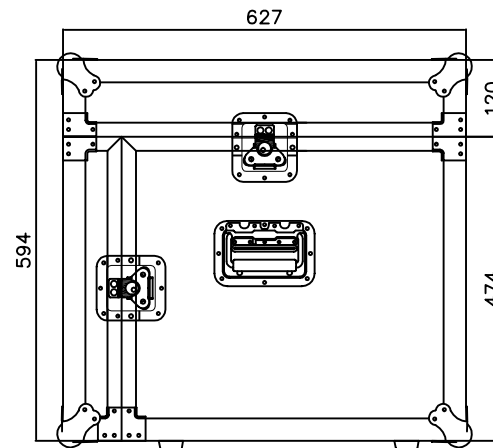


Top View



Front View



Side View

Brand :	CAYMON
Type :	FCC08
Outer Dimensions : (H x W x D)	594mm x 535mm x 627mm
Weight :	22,50 kg
Plate :	9mm Multi-Layer Multiplex
Usable Height Front :	8 units
Usable Height Top :	11 units
Inside Usable Depth :	500mm

- * Professional combo flight case
- * Separate front and top lid
- * Integrated door at the back
- * Integrated flip handles
- * Professional butterfly latches
- * Black scratch-resistant coating
- * Aluminium finishing corners
- * Suitable for 19" mixers on slightly tilted top

Model Nr.

FCC08

CAYMON
professional stands and racks