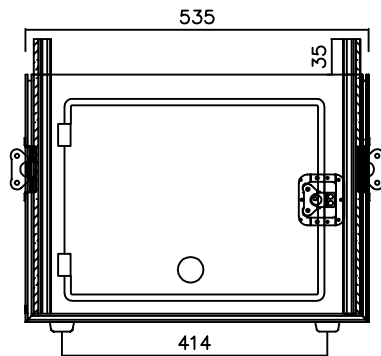
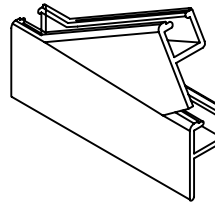
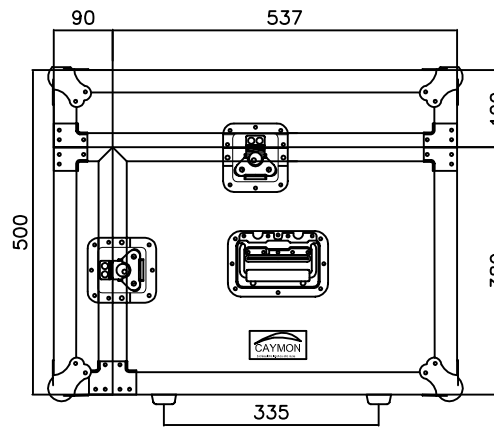


Top View



Front View



Side View

Brand :	CAYMON
Type :	FCC06
Outer Dimensions : (H x W x D)	500mm x 535mm x 627mm
Weight :	19,50 kg
Plate :	9mm Multi-Layer Multiplex
Usable Height Front :	6 units
Usable Height Top :	11 units
Inside Usable Depth :	500mm

- \* Professional combo flight case
- \* Separate front and top lid
- \* Integrated door at the back
- \* Integrated flip handles
- \* Professional butterfly latches
- \* Black scratch-resistant coating
- \* Aluminium finishing corners
- \* Suitable for 19" mixers on slightly tilted top

Model Nr.

**FCC06**

