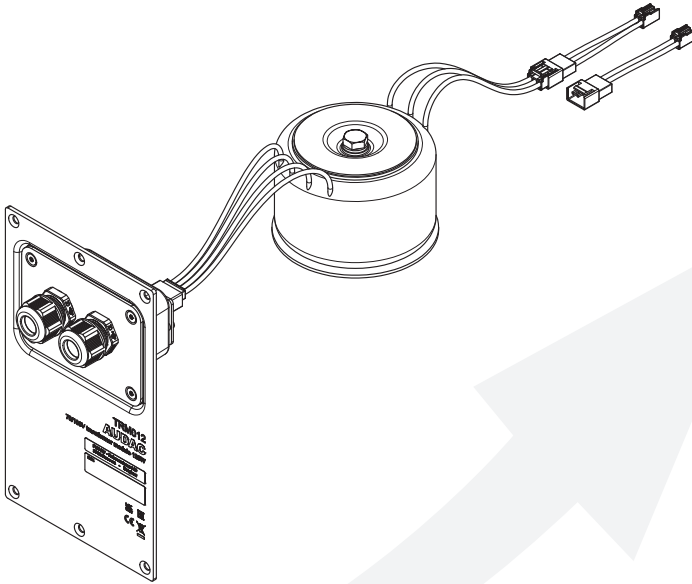


TRM012/024



CAUTION - INSTALLATION

Installation must only be carried out by qualified technicians. This product contains no user serviceable parts. Refer all servicing to qualified service personnel. Do not perform any servicing (unless you are qualified to)

READ FOLLOWING INSTRUCTIONS FOR YOUR OWN SAFETY

ALWAYS KEEP THESE INSTRUCTIONS. NEVER THROW THEM AWAY

ALWAYS HANDLE THIS UNIT WITH CARE

HEED ALL WARNINGS

FOLLOW ALL INSTRUCTIONS

NEVER EXPOSE THIS EQUIPMENT TO RAIN, MOISTURE, ANY DRIPPING OR SPLASHING LIQUID. AND NEVER PLACE AN OBJECT FILLED WITH LIQUID ON TOP OF THIS DEVICE

NO NAKED FLAME SOURCES, SUCH AS LIGHTED CANDLES, SHOULD BE PLACED ON THE APPARATUS

DO NOT INSTALL THIS UNIT NEAR ANY HEAT SOURCES SUCH AS RADIATORS OR OTHER APPARATUS THAT PRODUCE HEAT

DO NOT PLACE THIS UNIT IN ENVIRONMENTS WHICH CONTAIN HIGH LEVELS OF DUST, HEAT, MOISTURE OR VIBRATION

THIS UNIT IS DEVELOPED FOR INDOOR USE ONLY. DO NOT USE IT OUTDOORS

ONLY USE ATTACHMENTS & ACCESSORIES SPECIFIED BY THE MANUFACTURER

UNPLUG THIS APPARATUS DURING LIGHTNING STORMS OR WHEN UNUSED FOR LONG PERIODS OF TIME

USE THE APPARATUS ONLY IN MODERATE CLIMATES

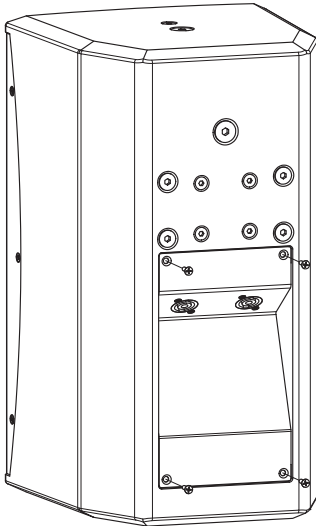
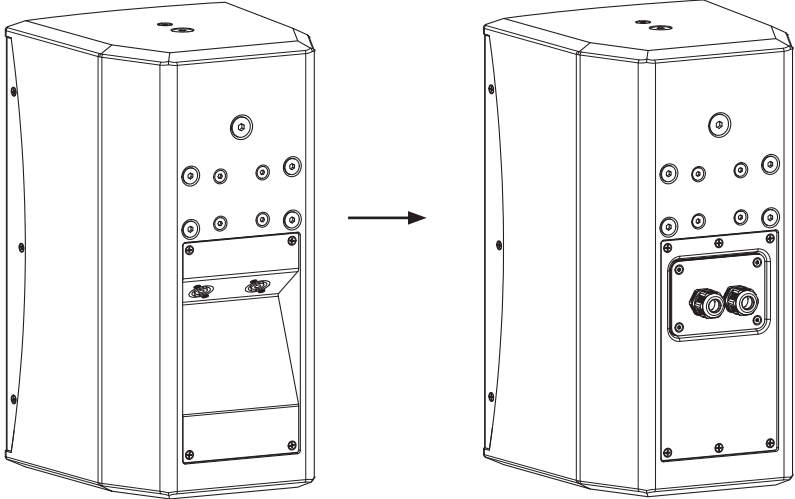
CAUTION

The symbols shown are internationally recognized symbols that warn about potential hazards of electrical products. The lightning flash with arrow point in an equilateral triangle means that the unit contains dangerous voltages. The exclamation point in an equilateral triangle indicates that it is necessary for the user to refer to the users manual.

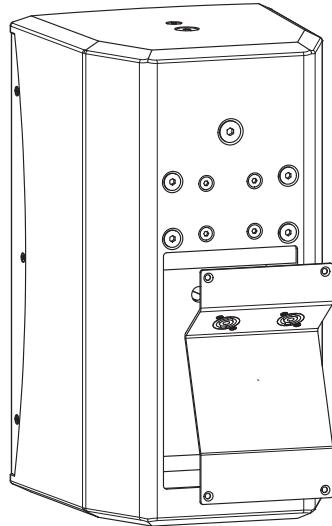


These symbols warn that there are no user serviceable parts inside the unit. Do not open the unit. Do not attempt to service the unit yourself. Refer all servicing to qualified personnel. Opening the chassis for any reason will void the manufacturer's warranty. Do not get the unit wet. If liquid is spilled on the unit, shut it off immediately and take it to a dealer for service. Disconnect the unit during storms to prevent damage.

Transformer mounting



1 Unscrew the 6 screws from



2 Remove the back plate.

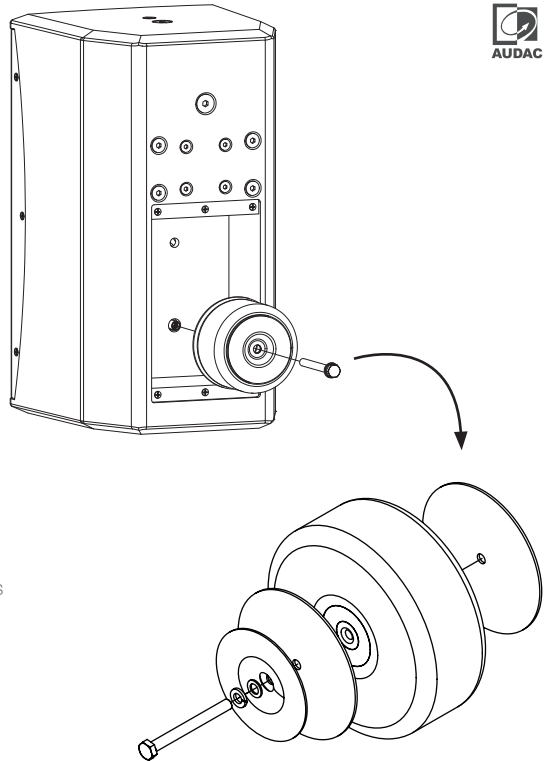
CAUTION: The SPEAKON connectors must be disconnected from their connection points to remove the entire back plate

- 3 When the back plate is removed, you will see the standard M8 bolt.

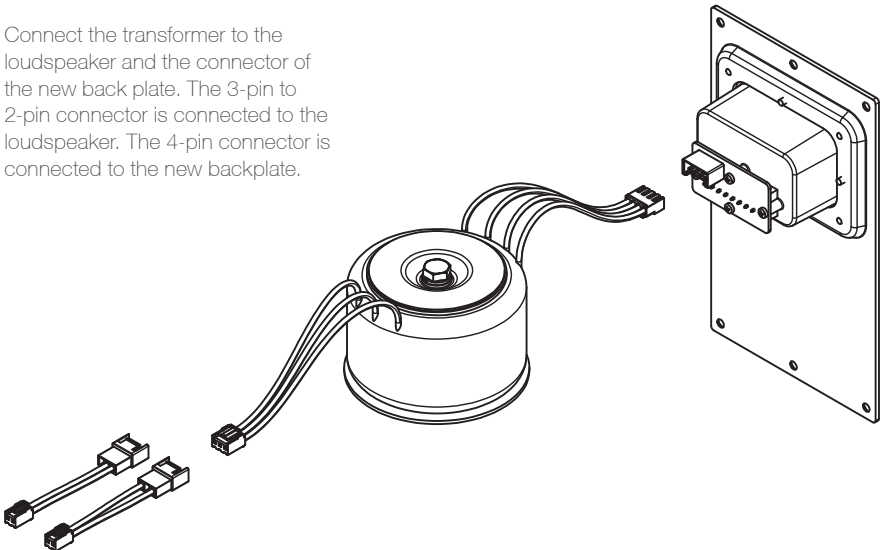
Unscrew this bolt and replace it with the longer M8 x 80mm bolt supplied with the TRM kit. The transformer should be secured with the large washer and both rubbers.

All washers and rubbers are included.

There will be a rubber behind and in front of the transformer.
The large washer comes between the front rubber and the M8 bolt. This prevents vibrations from the transformer.

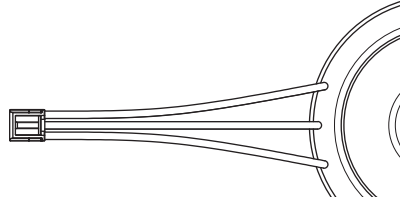


- 4 Connect the transformer to the loudspeaker and the connector of the new back plate. The 3-pin to 2-pin connector is connected to the loudspeaker. The 4-pin connector is connected to the new backplate.

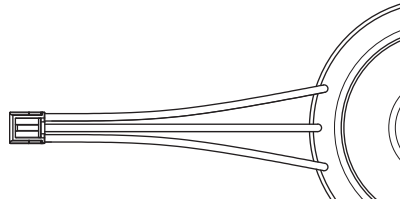


TRM kit comes with two 3-pin to 2-pin connection adapters. The adapter with black and red wire is for an 8 Ω connection wiring. The second adapter with black and orange wire is for a 4 Ω connection wiring.

**Adapter for 8 Ω connection
(Black and red wire)**



**Adapter for 4 Ω connection
(Black and orange wire)**

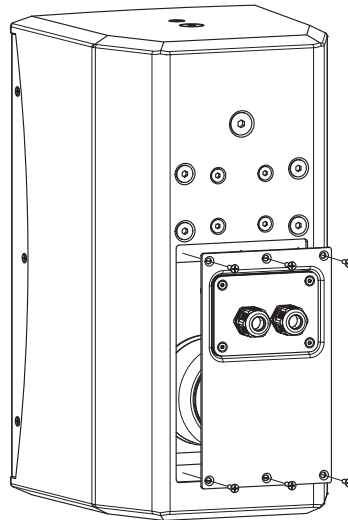


- 5 With the cables tucked away in the compartment with the transformer, the back plate is put back in place.

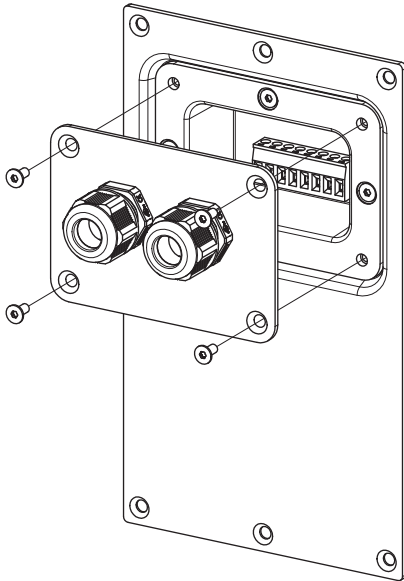
- 6 Secure the plate with the 6 screws.

Two cable glands are provided for daisy-chaining more than two speakers. The 8-pin terminal block is provided for ease of daisy-chaining.

The power taps are available on the terminal block.



Power tapings

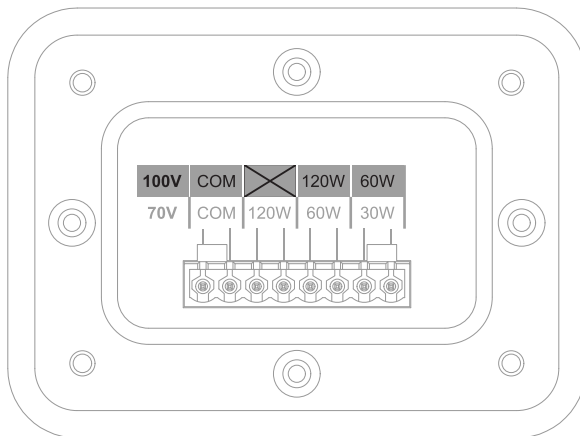


The plate of the two cable glands can be unscrewed.

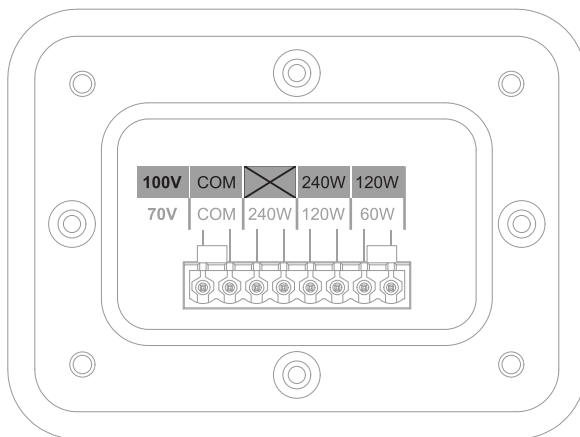
Behind it, you will find the terminal block to make connections. The wiring scheme for the correct daisy chain is given on the next page for each transformer.

This terminal block also provides the possibility of daisy chaining the speaker.

A cable up to 12 mm thick can be threaded through the cable glands.



TRM012



TRM024

Technical specifications



Line transformer power tapings	TRM012	TRM024
Tap 1	41.67Ω 70V/120W	20.83Ω 70V/240W
Tap 2	83.33Ω 100V/120W & 70V/60W	41.67Ω 100V/240W & 70V/120W
Tap 3	166.67Ω 100V/60W & 70V/30W	83.33Ω 100V/120W & 70V/60W
Secondary impedance	8 Ω (Black and red wire) 4 Ω (Black and orange wire)	
Connection	External (to amplifier) 8-pin terminal block Internal (to back plate) 4-pin connector Internal (to speaker) 2-pin connector	
Frequency response (± 3 dB)	50 Hz - 20 kHz	
Weight	2.1 Kg	2.8 Kg
Construction	Aluminium backplate Copper toroidal transformer	
Color (Back plate)	Black (RAL9005)	
Accessories	M8 x 80 mm mounting bolt Ø 90 mm metal washer 2 x rubber washer M8 washer M8 spring washer Adapter wire for 8 Ω (Black and red wire) Adapter wire for 4 Ω (Black and orange wire)	
Compatibility	VEXO108 & VEXO208	VEXO208