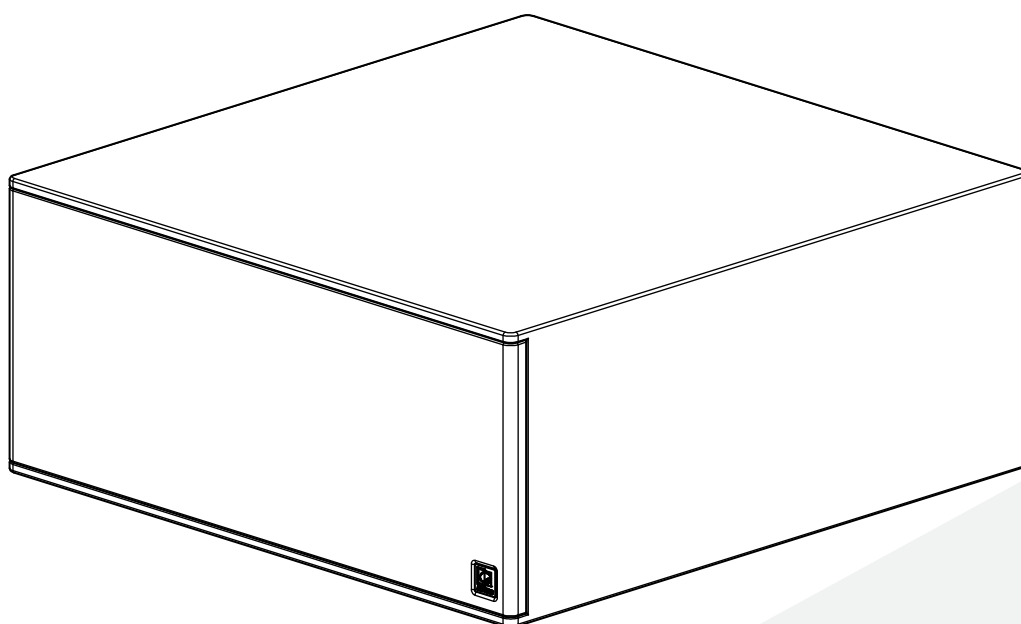


ARCHI10X



Introduction	03
Ultra-compact 10" architectural infra-subwoofer	03
Precautions	04
Chapter 1	06
Overview and connecting ARCH110X	06
Chapter 2	07
Installing ARCH110X	07
Technical specifications	08

ADDITIONAL INFORMATION

This manual is put together with much care, and is as complete as could be on the publication date. However, updates on the specifications, functionality or software may have occurred since publication. To obtain the latest version of both manual and software, please visit the Audac website @ www.audac.eu.



Ultra-compact 10" architectural infra-subwoofer

The ARCHI Series combines architectural elegance with groundbreaking audio performance. Designed for bars, restaurants, hospitality, and residential applications, these compact subwoofers deliver immersive sound with minimal visual impact.

Featuring innovations like AcoustiMesh for acoustic neutrality, AeroVent for noise-free bass performance, and weatherproof capabilities, the ARCHI Series excels indoors and outdoors. With low-frequency extensions down to 26Hz, flexible mounting options, and durable materials, the ARCHI Series redefines low-frequency fidelity, offering powerful, precise bass in a discreet, stylish design.

The ARCHI10X is built to deliver exceptional performance with unparalleled durability. Featuring an extremely rigid chassis and inner framing, this model ensures stability even under the most demanding conditions. Its dual silicone spiders allow for extended excursion capability, while the copper demodulating ring minimizes distortion, ensuring crystal-clear low-frequency output. The ARCHI10X also incorporates a highly linear Force Factor figure and a very high-temperature rate voice coil, enabling consistent, reliable performance at high power levels. Pending extensive salt spray and IP testing, the ARCHI10X/OB promises enhanced resilience in challenging outdoor environments. Designed for precision and power, this model sets a new standard for architectural subwoofers, delivering impactful sound with robust reliability.

READ FOLLOWING INSTRUCTIONS FOR YOUR OWN SAFETY

ALWAYS KEEP THESE INSTRUCTIONS. NEVER THROW THEM AWAY

ALWAYS HANDLE THIS UNIT WITH CARE

HEED ALL WARNINGS

FOLLOW ALL INSTRUCTIONS

THIS UNIT HAS VERSIONS DEVELOPED FOR INDOOR USE AND OUTDOOR USE. CHECK THE VERSION YOU HAVE BEFORE DEPLOYMENT

THE OUTDOOR VERSION OF THIS UNIT HAS BEEN DESIGNED FOR THE WEATHER CONDITIONS ENCOUNTERED IN PROTECTED OUTDOOR ENVIRONMENTS.

NEVER EXPOSE THIS EQUIPMENT DIRECTLY TO RAIN, MOISTURE, ANY DRIPPING OR SPLASHING LIQUID. AND NEVER PLACE AN OBJECT FILLED WITH LIQUID ON TOP OF THIS DEVICE.

NO NAKED FLAME SOURCES, SUCH AS LIGHTED CANDLES, SHOULD BE PLACED ON THE APPARATUS

DO NOT INSTALL THIS UNIT NEAR ANY HEAT SOURCES SUCH AS RADIATORS OR OTHER APPARATUS THAT PRODUCE HEAT

DO NOT PLACE THIS UNIT IN ENVIRONMENTS WHICH CONTAIN HIGH LEVELS OF DUST, HEAT, MOISTURE OR VIBRATION

ONLY USE ATTACHMENTS & ACCESSORIES SPECIFIED BY THE MANUFACTURER

CAREFULLY CHECK THE UNIT'S CONDITION AFTER UNPACKING. IF THERE IS ANY DAMAGE TO THE CARTON BOX OR THE UNIT ITSELF, INFORM YOUR VENDOR IMMEDIATELY.

USE CABLES OF THE RIGHT GAUGE TO CONNECT THE LOUDSPEAKER

USE CABLES WITH CLEAR COLOUR CODING INDICATING THE POLARITY AND MAINTAIN THE SAME POLARITY THROUGHOUT THE WHOLE SYSTEM.

ONLY USE THE CORRECT AMPLIFIER OUTPUT VOLTAGE AND IMPEDANCE. EXCEEDING THESE LIMITS COULD CAUSE FIRE OR OTHER FAILURES.

AVOID EXPLOSIONS: DO NOT USE THE SPEAKER AROUND GASOLINE, THINNER OR OTHER COMBUSTIBLES

AVOID ELECTRIC SHOCKS: SWITCH OFF THE AMPLIFIER WHEN CONNECTING THE LOUDSPEAKER

DO NOT USE THE LOUDSPEAKER FOR AN EXTENDED PERIOD OF TIME AT DISTORTED SOUND. THIS COULD CAUSE PERMANENT DAMAGE.

**CAUTION - SERVICING**

This product contains no user serviceable parts. Refer all servicing to qualified service personnel. Do not perform any servicing (unless you are qualified to)

**EC DECLARATION OF CONFORMITY**

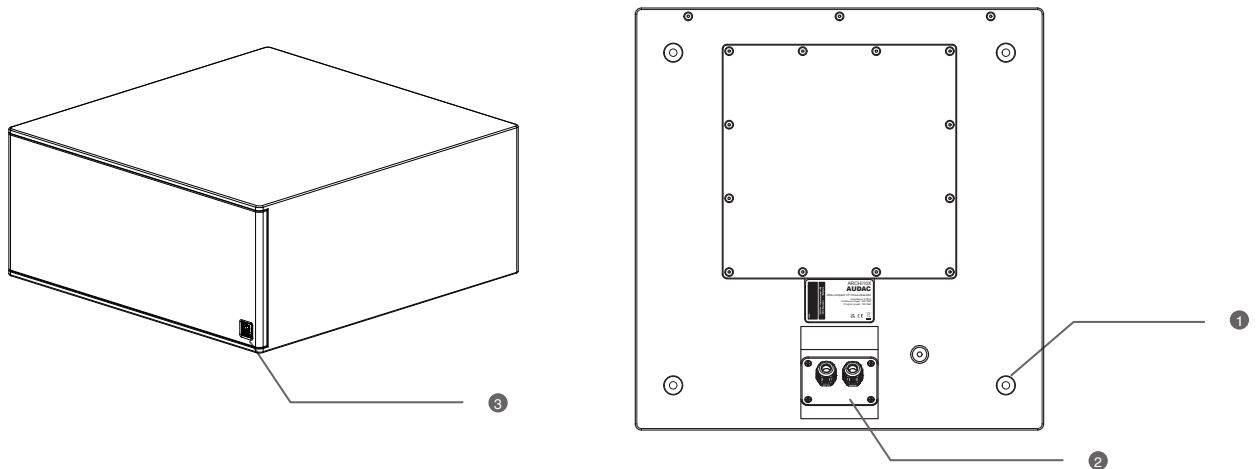
This product conforms to all the essential requirements and further relevant specifications described in following directives: 2014/30/EU (EMC2) & 2014/35/EU (LVD).

**WASTE ELECTRICAL AND ELECTRONIC EQUIPMENT (WEEE)**

The WEEE marking indicates that this product should not be disposed with regular household waste at the end of its life cycle. This regulation is created to prevent any possible harm to the environment or human health.

This product is developed and manufactured with high quality materials and components which can be recycled and/or reused. Please dispose this product at your local collection point or recycling centre for electrical and electronic waste. This will make sure that it will be recycled in an environmentally friendly manner, and will help to protect the environment in which we all live.

Overview and connecting ARCH110X



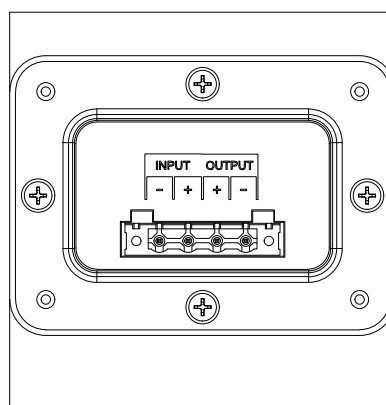
1) Rigging points

Rigging points are available on ARCH1 series for optional mounting brackets. These brackets allow flexible and secure mounting on walls and ceilings to achieve an architectural discreet pleasing installation.

2) Terminal block connector with link-through

The wires from the amplifier should be connected to the terminal block located on the back of the ARCH110X subwoofer. This connector ensures a secure and reliable connection, making it ideal for fixed installations.

The ARCH110X is equipped with a link-through terminal, allowing multiple ARCH110X subwoofers to be connected. This simplifies wiring in larger setups by distributing the input signal efficiently across multiple subwoofers, ensuring consistent low-frequency coverage.



3) Rotatable logo

The ARCH110X is designed for flexible deployment, allowing both vertical and horizontal installation to suit different architectural needs. To complement this versatility, the AUDAC logo can also be rotated easily—no tools required. Simply pull the logo out slightly and rotate it to match the speaker's orientation for a seamless, professional look in any setup.

Installing ARCH110X

1) Placement

The low frequencies produced by the AUDAC ARCH1 series subwoofers are naturally omnidirectional, meaning their placement within a space is flexible. However, following a few key guidelines can significantly enhance performance and efficiency.

For optimal dispersion, low-frequency speakers perform best when positioned close to the ground. This is why ARCH1 subwoofers are typically floor-mounted rather than attached to walls or ceilings, unless necessary. Additionally, placing the subwoofer near boundaries, such as walls or floors, reinforces bass output by naturally increasing sound pressure levels. Positioning a subwoofer in a room corner further enhances low-frequency response due to boundary coupling.

When using multiple ARCH1 subwoofers, placing them side by side enhances acoustic coupling, resulting in greater sound pressure levels and a more impactful bass response. However, in some applications—depending on room size, layout, and acoustic characteristics—a wider dispersion may be preferable to achieve balanced coverage.

Since ideal subwoofer placement depends on the specific application, experimenting with positioning and coupling can help optimize performance for the best possible listening experience.

2) Outdoor deployment

The ARCH110X/OB ultra-compact infra-subwoofer is rated IP55 and is designed for protected outdoor environments. The ARCH110X/OB is not designed for direct exposure of outdoor environments, water or moisture. Direct exposure may compromise the integrity of the unit.

3) Connection

The ARCH110X subwoofer is equipped with a terminal block connector with link-through for easy and secure wiring. This allows for straightforward daisy-chaining of multiple ARCH110X, ensuring a seamless setup.

Since the ARCH110X does not include an internal low-pass filter, the input signal should be processed using an external crossover, a DSP-controlled amplifier. WaveDynamics presets are available in the latest version of AUDAC Touch to achieve optimal performance.

Mind the polarity markings when wiring the loudspeaker cables.

Technical specifications



ARCHI10X	
Speaker type	10" Infra-sub
Configuration	AeroVent - Bandpass
Peak power handling	1400W
Program power handling	750W
Continuous power (AES)	350W
Nominal impedance	8 Ohm
Max SPL (Continuous)	117 dB
Sensitivity 1W/1m	91 dB
Frequency response (- 3dB)	43 Hz - 95 Hz
Frequency range (-10dB)	26 Hz - 120 Hz
Bass port tuning frequency	53 Hz center bandpass
Connectors	Terminal block with linkthrough
Drivers	10" anodized aluminum cone with dual suspension (low-loss) and 2" high excursion voice coil
Ingress Protection rating	IP55 (ARCHI10X/OB)
Dimensions (w x h x d)	540 x 234 x 558 mm (excluding feet)
	540 x 246 x 558 mm (including feet)
Weight	25.5 Kg
Operating temperature	-20 °C ~ 70 °C
Construction	15 mm Multiply Plywood with multi-layer Polyurea coating
Front finish	AcoustiMesh
Colours	Black (ARCHI10X/OB)
	White (ARCHI10X/W)



Discover more on audac.eu