



DELIVERING YOUR MESSAGE

## RCS4FT/EN

Ceiling Speakers

EN54-24:2008  
Certificate No: 0359-CPD-0120 TYPE A



### MAIN PROPERTIES

#### ELECTRICAL

Rated power, Watts: 4

Tappings 100 volt line, Watts: 4/2/1/0.5/0.25

Transformer Impedance, Ohms 100V: 2.5k/5k/10k/20k/40k

Tappings 70.7 volt line, Watts: 2/1/0.5/0.25/0.13

Driver impedance, Ohms: 8

Effective Frequency Range, Hz (BSEN60268-5): 200 - 18K

S.P.L. @ 4m, 1watt, dB, 1/3 Octave, 1kHz: 60

S.P.L. @ 1m, 1watt, dB, Test Signal Bandwidth 100Hz-10kHz: 83

S.P.L. @ 4m, Full power, dB, 1/3 Octave 1kHz: 66

S.P.L. @ 1m, Full power, Test Signal Bandwidth 100Hz-10kHz: 89

Dispersion at 1k/2kHz, Degrees: 180/180

#### ENVIRONMENTAL

IP-Rating: 21

Max/Min Amb Temp: 55°/-10°c

Relative Humidity: ≤95%

#### MECHANICAL

Dimensions, mm: Height 101, Ø132

Net Weight, Kgs: 0.92

Colour (Unless Specified): RAL9016

Material: Steel

Mounting Fixing Springs x 4 (stainless steel)

Cut-out, mm: Ø119



[www.ateis-europe.com](http://www.ateis-europe.com)

ATEIS Europe BV - Sydneystraat 42 - 3047BP ROTTERDAM - NETHERLANDS

Phone +31 (0)10 2088690 - Fax +31 (0)10 2088699



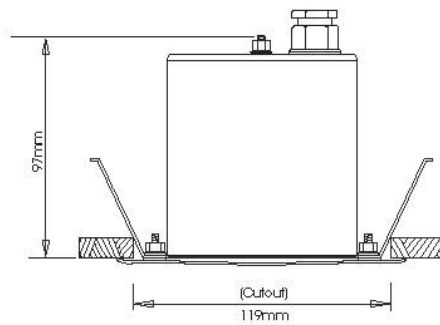
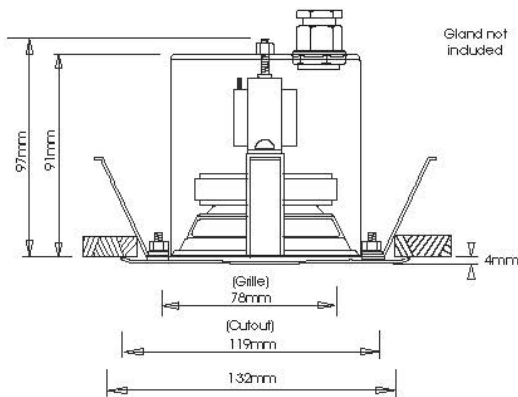
DELIVERING YOUR MESSAGE

## RCS4FT/EN

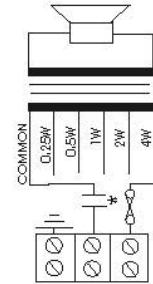
Ceiling Speakers

EN54-24:2008

Certificate No: 0359-CPD-0120 TYPE A



RCS4FT/EN & RCS4FT/ENC  
\* unit fitted with Capacitor



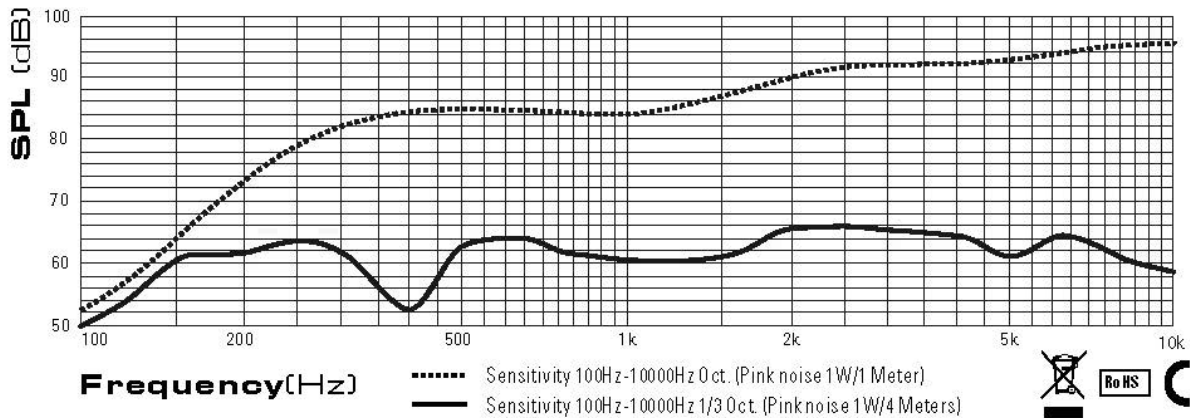
### WITH TRANSFORMER: 100V/70V LINE

	WHITE WIRE PLUS TAPPING					BLACK
100V	0.25W	0.5W	1W	2W	4W	COM
70V	0.13W	0.25W	0.5W	1W	2W	COM
IMP(Ω)	40K	20K	10K	5K	2.5K	

### DISPERSION ANGLES

		HORIZONTAL	VERTICAL
<b>1 OCT. PINK NOISE</b>	500 Hz	180°	180°
<b>1 OCT. PINK NOISE</b>	1 KHz	180°	180°
<b>1 OCT. PINK NOISE</b>	2 KHz	180°	180°
<b>1 OCT. PINK NOISE</b>	4 KHz	120°	120°

### FREQUENCY RESPONSE



[www.ateis-europe.com](http://www.ateis-europe.com)

ATEIS Europe BV - Sydneystraat 42 - 3047BP ROTTERDAM - NETHERLANDS

Phone +31 (0)10 2088690 - Fax +31 (0)10 2088699