

IDA8 system

NET-CX

ATEIS NET SECURED AUDIO NETWORK CARD

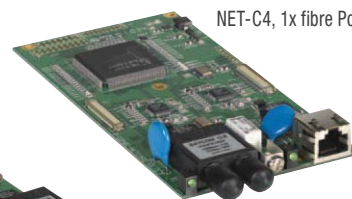
NET-C1, 2x RJ45 Port A & Port B



NET-C2, 1x RJ45 Port B & 1x fibre Port A



NET-C4, 1x fibre Port B & 1x RJ45 Port A



NET-C3, 2x fibre Port A & Port B



Note

Port A = network IN
Port B = network OUT

MAIN CHARACTERISTICS

- Ateis Net™ audio and data secured network
- Local-net & Global-net
- 32 x 32 - nodes in a combined network
- Low-latency <1ms
- 48-audio channels
- Redundant loop architecture
- 32 bit, 48 kHz sampling
- CAT-5 for up to 100 m
- Fibreoptic dual-mode for up to 2 km
- Fibreoptic single-mode for up to 20 km
- Dedicated network
- EN54-16 certified

ATEIS Net™ is a secured (monitored) audio network developed for fast and low-latency audio and data transport over a redundant copper (CAT-5) or fibreoptic network ring. ATEIS Net™ has an open-architecture design and interfaces with remote devices such as paging consoles, audio break-in and break-out converters and room controllers. It is best suited to medium to large-scale installations, such as shopping malls, retail stores, train stations and airports.

ATEIS Net™ secured audio network responds to Public Address and Voice Alarm requirements as stated in EN54-16, ISO 7240-16 and BS5839/8, with specific attributes for compliance in large installations.

FUNCTIONS

ATEIS Net™ is able to simultaneously transport 48 audio channels (32 bit, 48 kHz sampling rate) with a latency <1ms together with the necessary control data over a CAT-5 or fibreoptic dedicated network. For LOCAL and GLOBAL system networking, optional ATEIS Net™ networking cards can be installed into the IDA8 Controller and Slave units. Thanks to its loop architecture, the ATEIS Net™ audio network is fully redundant. If a problem (line open or shorted) occurs on a loop segment, it will be automatically isolated without affecting system functionality. One IDA8C Controller and up to 31 IDA8S Slaves can be connected together onto one LOCAL network. For systems of more than 32 units, or to link LOCAL networks, the GLOBAL network is used. Up to 32 IDA8C Controllers can be connected on the same GLOBAL network.

As network addresses are auto negotiated, network setup is very easy. Once programmed, the system will function independently without a PC having to be connected. IDA8C Controller units can be equipped with both LOCAL and GLOBAL network cards the communication network to be expanded up to 32 x 32 nodes.

NET-C1 cards (RJ45 to RJ45) are suitable for installation distances of up to 100m between Controller and Slave and/or Slave and Slave. For longer installation distances, optional NET-C2, C3 or C4 can be used to extend distances up to 2 km between units in multi-mode or 20 km in single-mode.

IDA8 system

NET-CX

ATEIS NET SECURED AUDIO NETWORK CARD

PARTS INCLUDED

Quantities	Components
1	Ateis Net™ secured audio network card
1	Set of interconnecting ribbon cables
1	Set of mounting pillars

TECHNICAL SPECIFICATIONS

Electrical

Battery power supply

Voltage	Internal multi-power socket
Power consumption	5 W
Audio transport	48 channels

Performance

Frequency response	-3 dB @ 20 Hz and 22 kHz
Sampling rate	32 bit / 48 kHz
Latency	< 1 ms
Integrity assurance	Watchdog

Indicators

LED	Network active
LED	Network present

Mechanical

Dimensions (H x W x D)	18 x 100 x 150 mm
------------------------	-------------------

Environmental

Operating temperature	-5 °C to +55 °C (+23 °F to +131 °F)
Storage temperature	-40 °C to +70 °C (-40 °F to +158 °F)
Relative humidity	15% to 90%
Air pressure	600 to 1100 h Pa

Ordering information

NET-C1, RJ45(A)/RJ45(B)
(supplied as standard with IDA8 models)

NET-C2, ST Multi-mode Fibre (A)/RJ45(B) (Surcharge)

NET-C3, ST Multi-mode Fibre(A)/(B) (Surcharge)

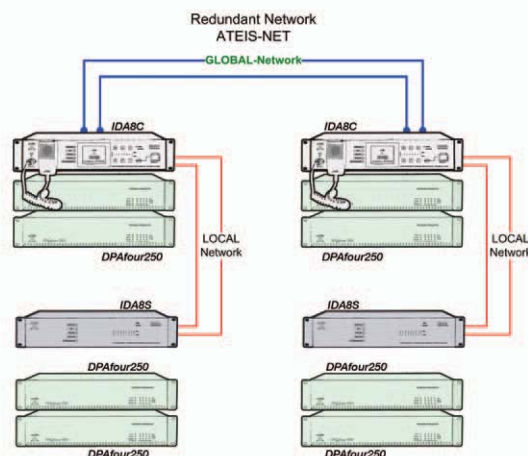
NET-C4, RJ45(A)/ST Multi-mode Fibre(B) (Surcharge)

NET-C3S, ST Single-mode Fibre(A)/(B) (Surcharge)

SECURITY

In accordance with EN54-16, ISO 7240-16 and BS5839:pt8, all IDA8 system components and peripherals on the ATEIS Net™ secured audio network are monitored and reports stored in the IDA8C system controller. The controller monitors the status of all the equipment in the system, reports status changes and stores fault messages for recall either on the controller front-panel display or through the ATEIS Studio PC-based software.

INSTALLATION NOTES



CONTROLS AND INDICATORS

Front

- Data running indicator
- Net-work present indicator

INTERCONNECTIONS

Front

- Two system network connections either CAT5 or Fiber-optic or a combination

CERTIFICATIONS AND APPROVALS

REGION CERTIFICATIONS

REGION	CERTIFICATIONS
Europe	Certification CE – 0359 (Intertek) Immunity according to EN50103-4 PAVA EN54-16 certified 2012

