



DELIVERING YOUR MESSAGE

## CELL20/T - CELL20T/EN

Metal Projector Speaker

### MAIN PROPERTIES

Rated power, Watts: 20

Tappings 100 volt line, Watts: 20/10/5/2.5

Transformer Impedance, Ohms, 100V: 500/1k/2k/4k

Tappings 70.7 volt line, Watts: 10/5/2.5/1.25

Driver impedance, Ohms: 8

Effective frequency range, Hz (BSEN60268-5) :110-16,000

S.P.L. @ 1m, 1 watt, dB, Test Signal Bandwidth 100Hz – 10 kHz: 88

S.P.L. @ Full power, Octave Bandwidth, dB:101

Acoustic Power (dB-PWL@1 Watt) 1k/2k Hz, dB: 87/84

Dispersion at 1k/2k Hz, Degrees: 180/120

Directivity Axial Q factor, 1k/2kHz: 2.6/5.9

Dimensions, front & depth, mm: Ø140 x 191

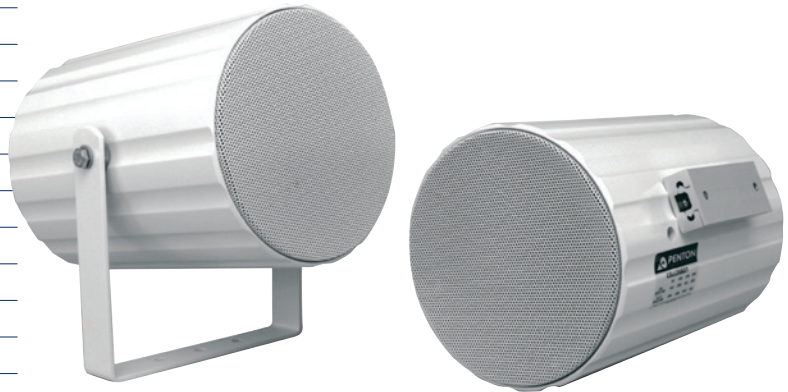
Net weight, Kgs: 2.3

Colour/Finish: White RAL9016

Material Aluminium with Stainless steel hardware

Mounting Aluminium U bracket

f CELL20/TC is BS5839 Part 8 Voice Alarm compliant



CELL20T/EN is BS5839 Part 8 voice alarm compliant

[www.ateis-europe.com](http://www.ateis-europe.com)

ATEIS Europe BV - Sydneystraat 42 - 3047BP ROTTERDAM - NETHERLANDS

Phone +31 (0)10 2088690 - Fax +31 (0)10 2088699

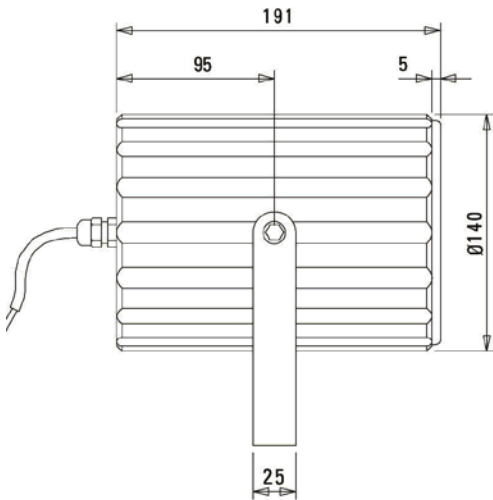


DELIVERING YOUR MESSAGE

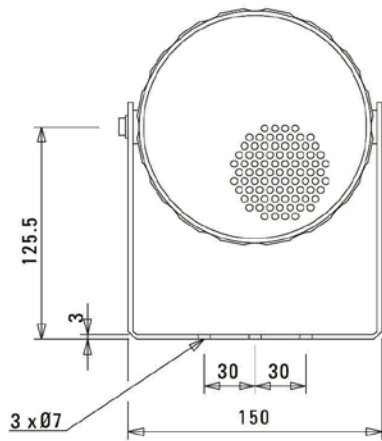
## CELL20/T - CELL20T/EN

Metal Projector Speaker

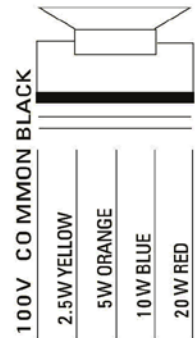
side view  
unit: mm



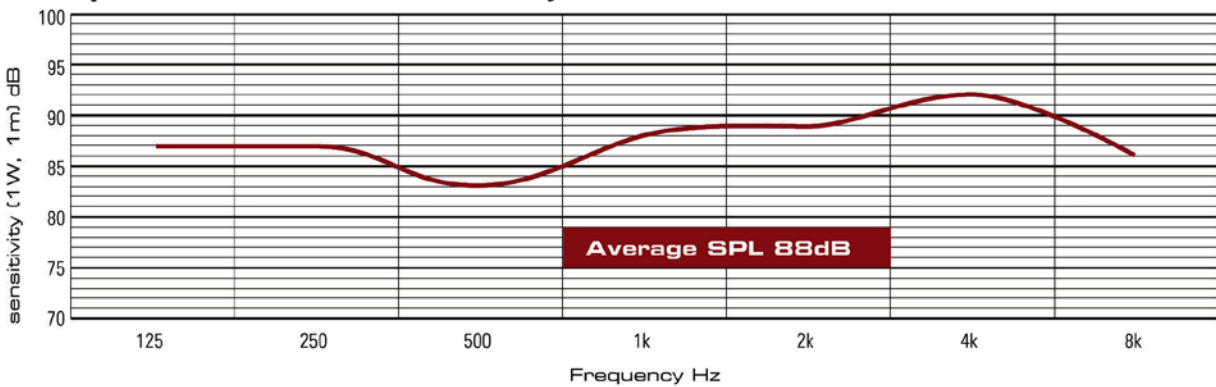
front view  
unit: mm



circuit diagram  
**CELL20/T**



speech octave band sensitivity



Effective Frequency Range ● CELL20/T - CELL20T/EN 110Hz - 16,000Hz