



DELIVERING YOUR MESSAGE

CAD20/T - CAD20T/EN

Plastic Projector Speaker

MAIN PROPERTIES

Rated power, Watts: 20
Tappings 100 volt line, Watts: 20/10/5/2.5
Transformer Impedance, Ohms, 100V: 500/1k/2k/4k
Tappings 70.7 volt line, Watts: 10/5/2.5/1.25
Driver impedance, Ohms: 8
Effective frequency range, Hz (BSEN60268-5): 110-18,000
S.P.L. @ 1m, 1 watt, dB, Test Signal Bandwidth 100Hz-10 kHz: 91
S.P.L. @ Full power, Octave Bandwidth, dB: 104
Acoustic Power (dB-PWL@1 watt) 1k/2kHz,dB: 89/90
Dispersion at 1k/2k Hz, Degrees: 180/120
Directivity Axial Q factor, 1k/2kHz: 2.6/5.6
Dimensions, front & depth, mm: Ø138 x 204
Net weight, Kgs: 1.6
Colour/Finish White
Material ABS Plastic with UV inhibitor and
Stainless steel hardware
Mounting Aluminium U bracket

CAD20T/EN is BS5839 Part 8 voice alarm compliant



www.ateis-europe.com

ATEIS Europe BV - Sydneystraat 42 - 3047BP ROTTERDAM - NETHERLANDS

Phone +31 (0)10 2088690 - Fax +31 (0)10 2088699

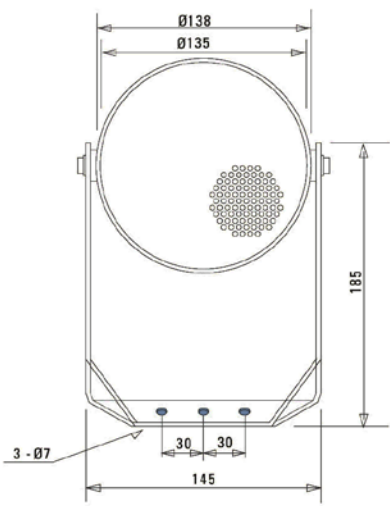


DELIVERING YOUR MESSAGE

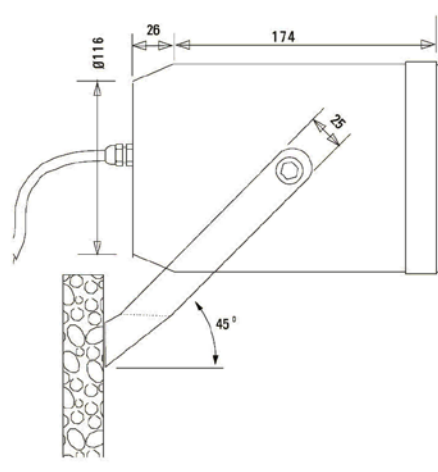
CAD20/T - CAD20T/EN

Plastic Projector Speaker

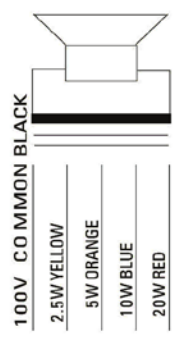
front view
unit: mm



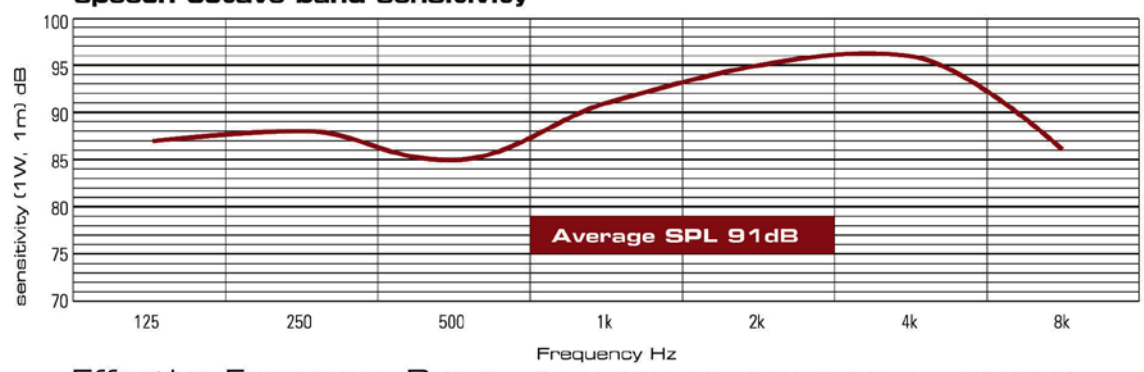
side view
unit: mm



circuit diagram
CAD20/T



speech octave band sensitivity



Effective Frequency Range ● CAD20/T - CAD20T/EN □ 10Hz - 18,000Hz